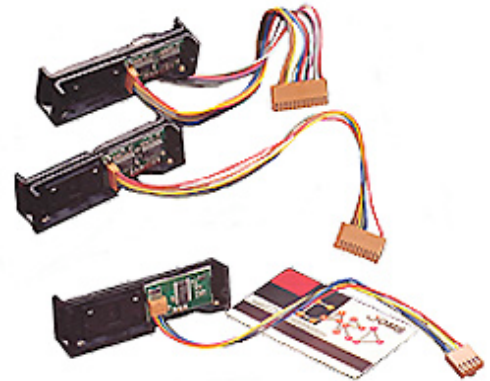


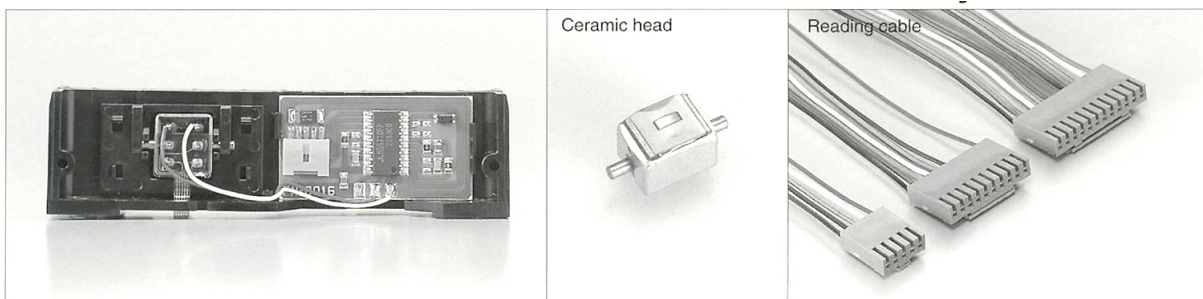
MRU-100-200-300

Magnetic Card Reader



- Realizes simultaneous reading of three tracks.
- Magnetic head wear resistance of better than 5 million passes.
- Complete lineup allows accommodation of a wide range of user needs.
- The MRU to be incorporated in all types of systems.

Power Requirement	DC5.0 V \pm 5%
Current consumption	Single track : 4.5mA (reading), 1.0mA (stand-by) Dual tracks : 9.0mA (reading), 2.0mA (stand-by) Triple tracks : 13.5mA (reading), 3.0mA (stand-by)
Communication	CMOS
Card standard	ISO 7811
Ripple current	100mV
Installation position	Upright or sideways (in a certain direction)
Operation	Manual swipe
Environment	Operation : 0°C to +50°C, 20 to 90% RH Storage : -20°C to +70°C, 20 to 90% RH (provided no frost or condensation exist)
Dimensions & weight	90 (D) x 22 (W) x 24 (H) mm. 30g. (max.)
Card operating speed	10 to 150 cm/s
Head life	Over 5,000,000 passes
Accessories	Reading cable



Model	ISO			Remark
	Track 1	Track 2	Track 3	
MRU-101	IATA	ABA	THRIFT	
MRU-202	•	•		Dual tracks simultaneous reading
MRU-203		•	•	Dual tracks simultaneous reading
MRU-304	•	•	•	Triple tracks simultaneous reading

Note : All specifications are subject to change without notice



Securetech Peripherals, Inc.,
336 N. Gaffey Street 2nd Floor
San Pedro, CA 90731 U.S.A.

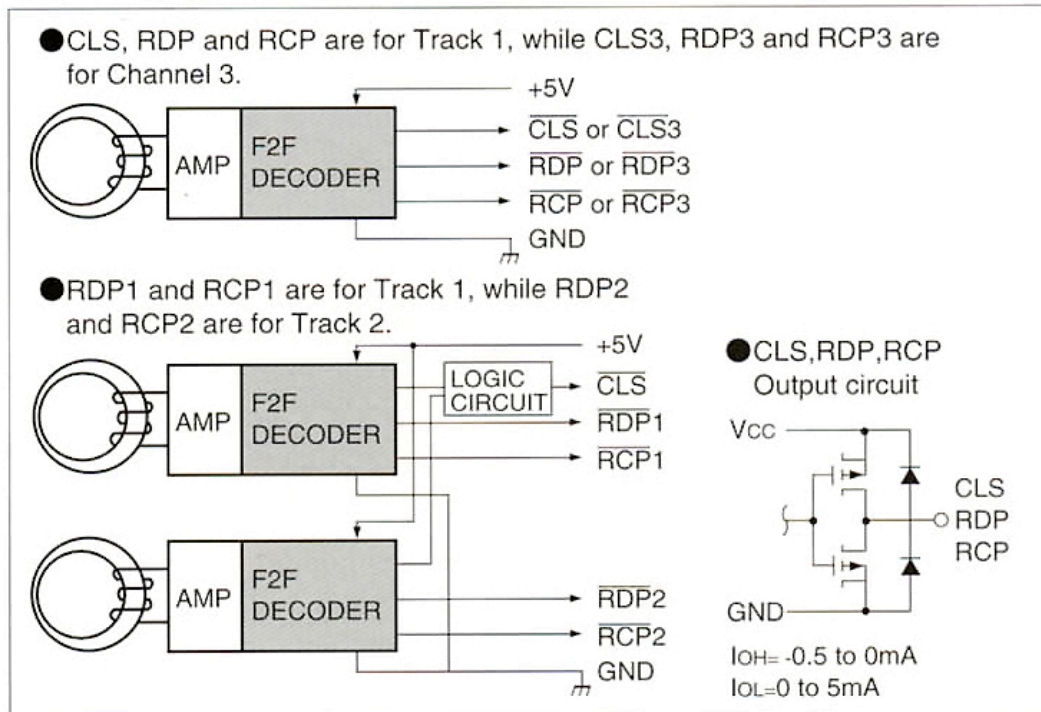
<http://securetech-corp.com>
sales@securetech-corp.com
Phone : 310-547-8501, Fax : 310-521-9600

MRU-100-200-300

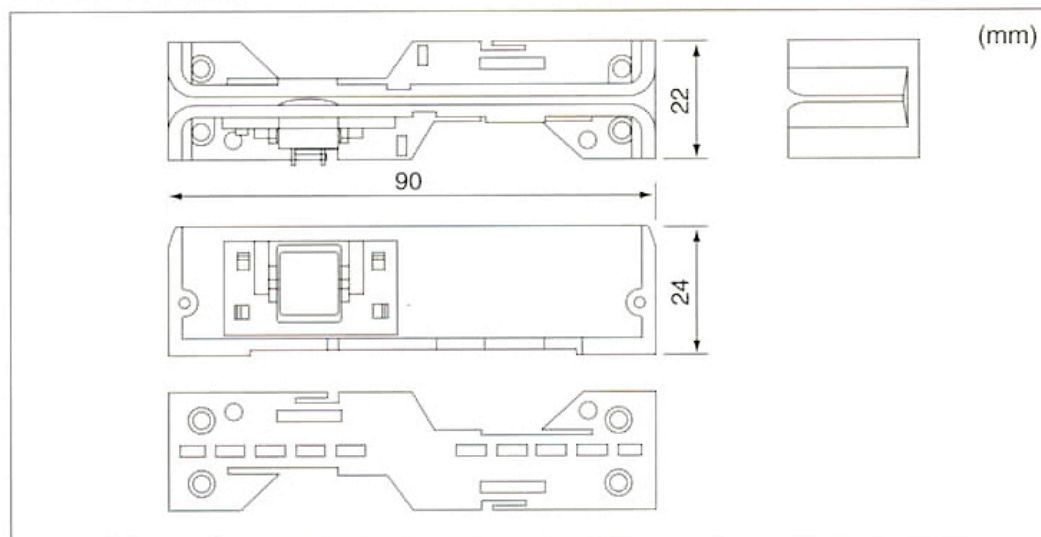
Magnetic Card Reader

Providing triple tracks ceramic head makes it possible to read a maximum of 3 channels simultaneously.

Block Diagram



Dimensions



Note : All specifications are subject to change without notice



Securetech Peripherals, Inc.,
336 N. Gaffey Street 2nd Floor
San Pedro, CA 90731 U.S.A.

<http://securetech-corp.com>
sales@securetech-corp.com
Phone : 310-547-8501, Fax : 310-521-9600

MR-1000-2000

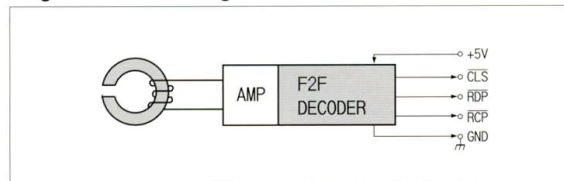
Magnetic Card Reader



- More than 5 million passes guaranteed.
- Super lightweight compactness.
- Single and multi track types (available for all ISO standard cards).
- Energy –saving design minimizes power consumption.
- A special harness unit attaches easily with a connector.

Power Requirement	5VDC \pm 5%
Current consumption	Single track : 4.5mA (reading), 1.0mA (stand-by) Multi track : 9.0mA (reading), 2.0mA (stand-by)
Communication	TTL
Card standard	ISO
Ripple current	100mV
Installation position	Upright or sideways (in a certain direction)
Operation	Manual swipe, Bi-directional
Environment	Operation : 0°C to +50°C, 20 to 90% RH Storage : -20°C to +70°C, 20 to 80% RH (provided no frost or condensation exist)
Card transport speed	10 to 150 cm/s
Head life	Over 5,000,000 passes

Single Track Block Diagram



Model	ISO			Dimensions W x H x D (mm)	Weight (g)
	Track 1 IATA	Track 2 ABA	Track 3 THRIFT		
MR-1002		•		22 x 23 x 86	25
MR-2005	•	•			
MR-2006		•	•		
MR-1102		•		22 x 23 x 43	15
MR-2105	•	•			
MR-2106		•	•		
MR-1202		•		22 x 23 x 58	25
MR-2205	•	•			
MR-2206		•	•		
MR-1302		•		95 x 50 x 117	120
MR-2305	•	•			
MR-2306		•	•		

Note : All specifications are subject to change without notice



Securetech Peripherals, Inc.,
336 N. Gaffey Street 2nd Floor
San Pedro, CA 90731 U.S.A.

<http://securetech-corp.com>
sales@securetech-corp.com
Phone : 310-547-8501, Fax : 310-521-9600

