

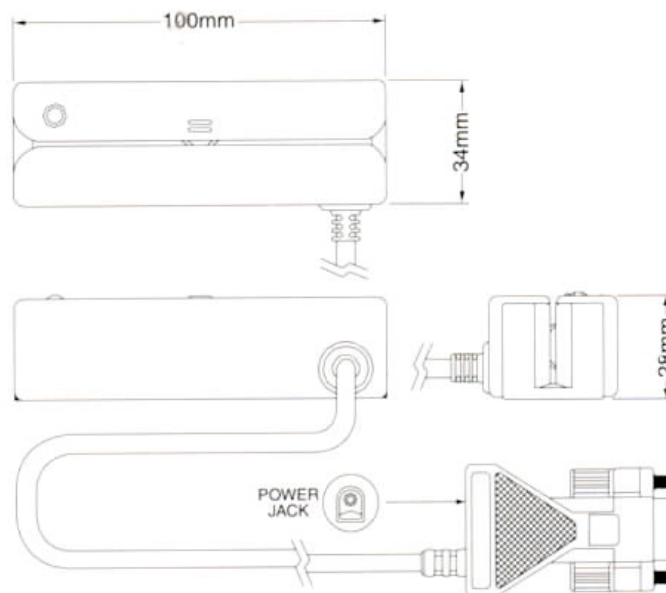
MSR-110

RS232 Magnetic Card Reader

- Programmable track data output.
- Downloadable firmware.
- Read magnetic stripe cards conform to ISO7811, AAMVA and custom data format.
- Manual swipe, bi-directional.
- Read high and low coercivity magnetic stripes (300-4000 Oe).
- LED and beeper for read status.



Power Requirement	+5VDC \pm 10%
Consumption	5.9mA
Communication	RS232
Body Material	ABS 94V-0
Dimension and Weight	100 x 34 x 28 mm. Approx. 120g.
Card Handling Method	Manual swipe, Bi-directional
Environment	Operation : -10 to +55°C, 10 to 90% humidity
Agency approval	FCC/CE class A. UL, cUL
Read Card	ISO 7810, 7811/1-6, AAMVA, JIS II & custom data
Read Capability	Magnetic stripe single, dual or triple track of low or high coercivity (300-4000 Oe)
Read speed	STD card : 5~55ips, Jitter \pm 15% : 5~50ips, Amp.60% : 5~50ips
Card thickness	0.76 – 1.2mm
Read error rate	< 0.5%
Head life	500K swipes, 1M life optional



Note : All specifications are subject to change without notice



Securetech Peripherals, Inc.,
336 N. Gaffey Street 2nd Floor
San Pedro, CA 90731 U.S.A.

<http://securetech-corp.com>
sales@securetech-corp.com
Phone : 310-547-8501, Fax : 310-521-9600