

ST-100

Smart Card Terminal

- Unmatched reliability with fully inserted card operation
- No need for separate power supply

Main Applications

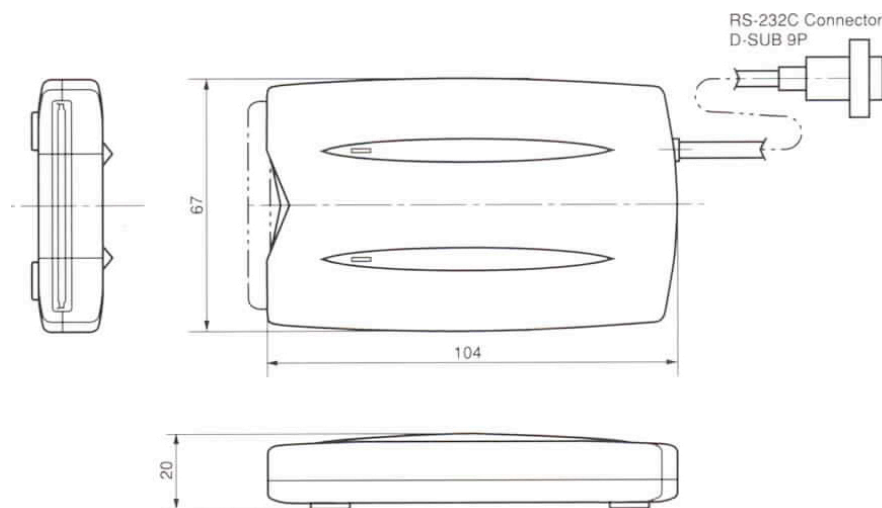
- Electronic Commerce
- Data search, Electronic Payment, etc.
- Home Banking

Main Features

- High reliability ensured by fully inserted card operation with push-in/push-out mechanism.
- No DC power supply required.
- Lightweight and compact size for easy, flexible installation.
- PC installation fastener included as standard accessory.
- RS232C serial interface.
- Ultra low cost.



Operating method	Manual insertion, Manual ejection. Push IN/push OUT
Applicable cards	Card complying with ISO/IEC 7816 T=0, T=1
Power supply	Not necessary (Power supplied from RS232C signal lines)
Operating condition	Temperature : 5°~55°C Humidity : 10~90%RH (No condensation)
Operating life	Up to 100,000 passes in normal use
Interface	RS232C
Weight	Approx. 120g (including 50g of connector cable)
Dimensions	104 (D) x 67 (W) x 20 (H) mm



Note : All specifications are subject to change without notice



Securetech Peripherals, Inc.,
336 N. Gaffey Street 2nd Floor
San Pedro, CA 90731 U.S.A.

<http://securetech-corp.com>
sales@securetech-corp.com
Phone : 310-547-8501, Fax : 310-521-9600