

ST-60

Smart Card Reader/Writer

• Motorized Card Transport

Main Applications

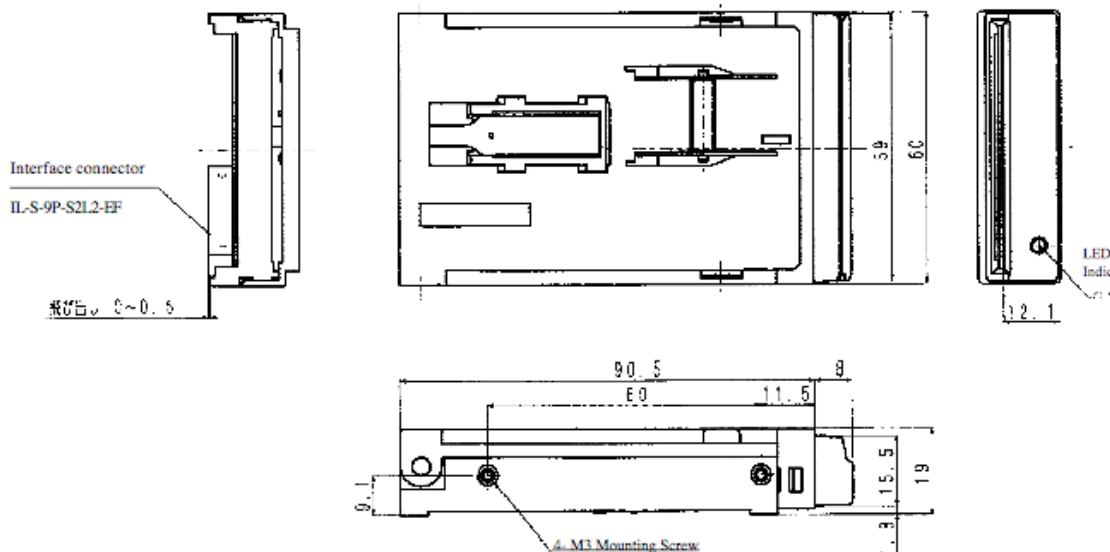
- CAT and POS terminals.
- Terminals for the financial industry.

Main Features

- Compact-size, lightweight and high-reliability assembly type.
- Dust-proof shutter to prevent scratches on the card.



Operating method	Motorized card transport
Applicable cards	Card complying with ISO/IEC 7816, T=1, T=0
Power supply	Voltage : DC+5V(+0.35V,-0.15V) Current : Operation 50mA : Solenoid 1.4A(MAX)
Operating condition	Temperature : 5°~55°C Humidity : 10~90%RH (No condensation)
LED Indicators	Dual color LED (Green/Orange) Green: ST-60IF power On status Orange: IC card Vcc On status
PC/SC	Optional (Special Request)
Card transportation Speed	200 mm/s
Card transportation Time	250 mm/ms
Operating life	Up to 500,000 passes in normal use for each card type.
Additional function	Dust-proof shutter
Dimension & Weight	98.5 (D) x 60 (W) x 16 (H) mm, 80g aprox.



Note : All specifications are subject to change without notice



Securetech Peripherals, Inc.
336 N. Gaffey Street 2- Floor
San Pedro, CA 90731 U.S.A.

www.securetech-corp.com
sales@securetech-corp.com
Phone : 310-547-8501, Fax : 310-521-9600