

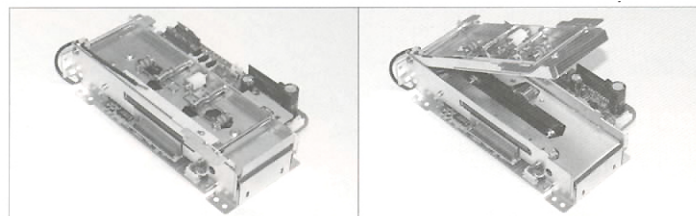
UERW-301

Motorized Magnetic Card Reader/Writer



- The compact size and curve-accented design.
- Compatible with a wide range of coercivity force levels.
- Device parameters are controllable from host computer with RS232C.
- Compatible with all 3 tracks of ISO standards.
- Device can be placed upright or on it's side to meet desktop application needs.

Power Requirement	DC24V±5%
Current consumption	2.5A max.
Communication	Complies RS232C
Communication rate	2400, 4800, 9600, 19200 bps
Synchronizing method	Asynchronous (half duplex)
Card standard	ISO 7811
Communication connector	D-sub 9 pin
Installation position	Upright or sideways (in a certain direction)
Dimension and Weight	216 (D) x 47 (W) x 122 (H) mm. (excluding protruding parts), Approx. 1.3 kg
Operation	Motorized drive belt method
Environment	Operation : 5 to +40°C, 35 to 85% RH
Agency approval	FCC class B
Read Card	Bi-directional, insert and/or eject
Card transport speed	20±5 cm/s
Coercive force	Read 300 to 650, 1750, 2750 to 4000 Oe
Recording density	210 bpi ± 20% (track 1 and 3), 75 bpi ± 20% (track 2)
Recording method	Frequency modulation method
Recording capacity	79 characters (track 1), 40 characters (track 2), 107 characters (track 3) (including STX, ETX and LRC)
Accessories	AC adapter, rubber feet, cleaning card
Option	Connection cable
Card travel speed	15-18 ips



Without case version is also available as OEM component

Note : All specifications are subject to change without notice



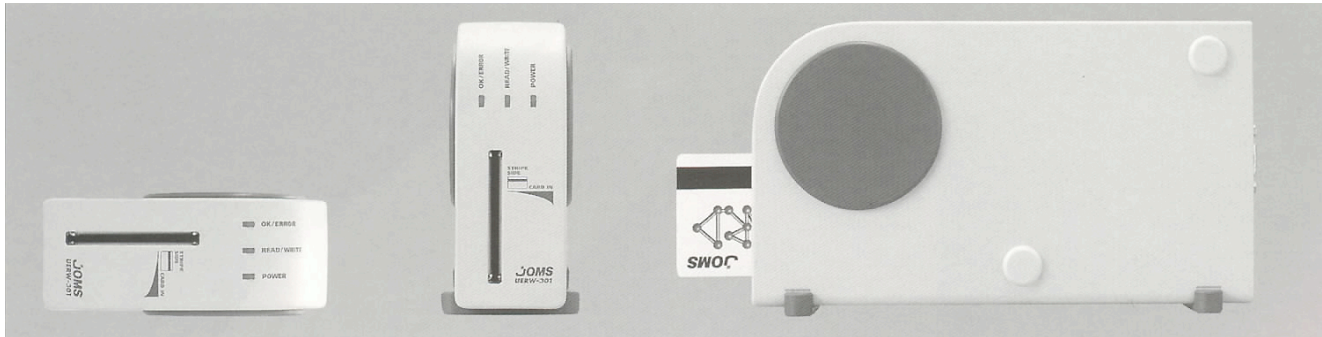
Securetech Peripherals, Inc.,
336 N. Gaffey Street 2nd. Floor
San Pedro, CA 90731 U.S.A.

<http://securetech-corp.com>
sales@securetech-corp.com
Phone : 310-547-8501, Fax : 310-521-9600

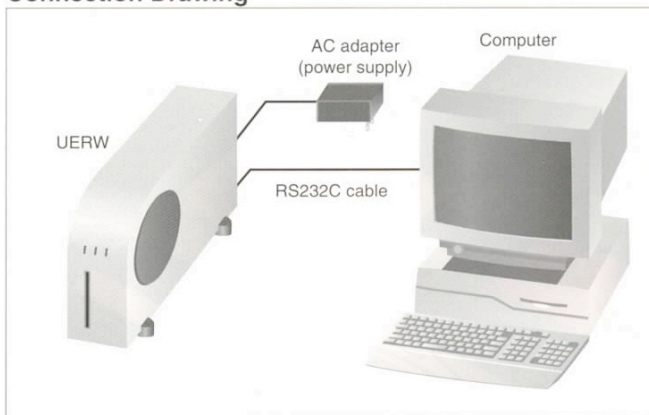
UERW-301

Motorized Magnetic Card Reader/Writer

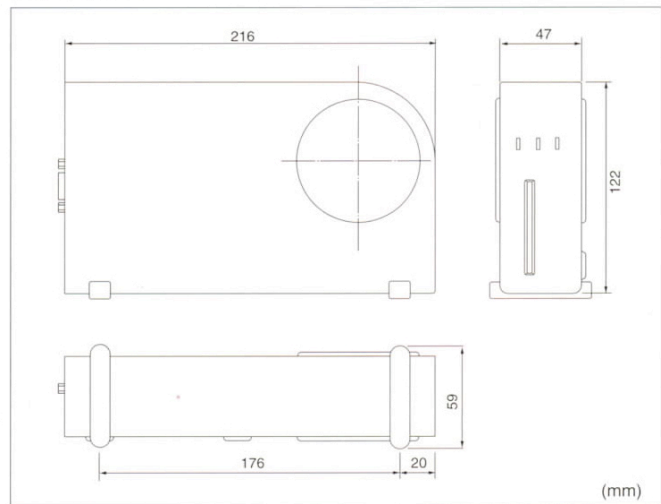
The design uses curves to accent the shape making the UERW the perfect peripheral device for office personal computers, being able to be used as an ultra-compact magnetic card reader and writer.



Connection Drawing



Dimensions



We consultations regarding software development and customization.

Note : All specifications are subject to change without notice



Securetech Peripherals, Inc.,
336 N. Gaffey Street 2nd. Floor
San Pedro, CA 90731 U.S.A.

<http://securetech-corp.com>
sales@securetech-corp.com
Phone : 310-547-8501, Fax : 310-521-9600